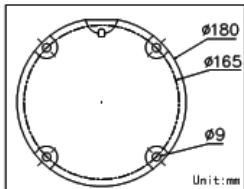
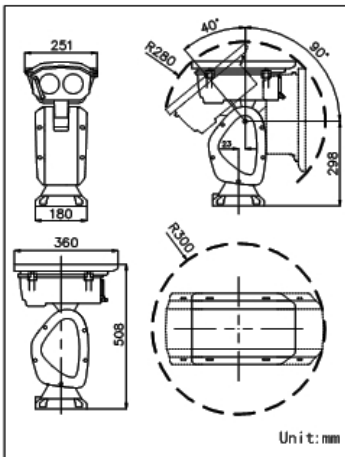


HDS-PT9832IR-AP Specification

2MP 32X Low illumination Network IR Positioning System



Dimension:



Functions

- 1920×1080 Full HD output
- Super low illumination
- Wide movement range
- 32X optical zoom, 16X digital zoom
- Up to 800m IR distance
- True Day/Night, smart IR
- Digital WDR, 3D DNR, Defog
- 3D intelligent positioning
- Triple stream
- Audio/Alarm I/O
- Wiper for self-cleaning

Model	HDS-PT9832IR-AP
	2MP 32X Low illumination Network IR Positioning System
Camera	
Image Sensor	1/2.8" Progressive Scan CMOS
Min. Illumination	Color: 0.005Lux @ (F1.8, AGC ON) B/W: 0.001Lux @ (F1.8, AGC ON)
Day & Night	ICR
Focus Mode	Auto / Semiautomatic / Manual
Shutter Time	50Hz: 1/1-1/30,000s; 60Hz: 1/1-1/30,000s
S / N Ratio	>52dB
Digital Zoom	16X
White Balance	Auto / Manual / ATW / Indoor / Outdoor / Daylight lamp / Sodium lamp
AGC	Auto / Manual
Lens	
Focal Length	8-250mm, 32x
Angle of View	33.4-1.1 degree (Wide-Tele)
Min. Working Distance	10-1500mm (Wide-Tele)
Aperture Range	F1.8-F6.1
Image	
Main Stream	50Hz: 25fps (1920×1080), 25fps (1280×960), 25fps (1280×720) 60Hz: 30fps (1920×1080), 30fps (1280×960), 30fps (1280×720)
Sub Stream	50Hz: 25fps (704×576), 25fps (352×288), 25fps (176×144) 60Hz: 30fps (704×480), 30fps (352×240), 30fps (176×120)
Third Stream	50Hz: 25fps (1920×1080), 25fps (1280×960), 25fps (1280×720), 25fps (704×576), 25fps (352×288), 25fps (176×144) 60Hz: 30fps (1920×1080), 30fps (1280×960), 30fps (1280×720), 30fps (704×480), 30fps (352×240), 30fps (176×120)
Image Compression	H.264 (Baseline, Main, High Profile) / MJPEG / MPEG4
Audio Compression	G722.1 / G.711ulaw / G.711alaw / MP2L2 / G.726
SVC	Support
ROI	Support 24 areas with adjustable levels
Protocols	IPV4 / IPV6, HTTP, HTTPS, 802.1x, Qos, FTP, SMTP, UPnP, SNMP, DNS, DDNS, NTP, RTSP, RTP, TCP, UDP, IGMP, ICMP, DHCP, PPPoE
Standard	ONVIF, PSIA, CGI
Others	Defog, EIS, Privacy Mask, 3D DNR, BLC, WDR
Infrared	
IR Distance	800m
IR Intensity Automatically adjusted, depending on the zoom ratio	
Smart IR	Support
Pan & Tilt	
Movement Range	Pan: 360° endless, Tilt: +40° ~ -90°
Movement Speed	Pan: 0.1°-100°/s, Tilt: 0.1°-40°/s
Number of Preset	256
Patrol	8 patrols, up to 32 presets per patrol
Pattern	4 patterns, with the recording time not less than 10 minutes per pattern
Power-off Memory	Support
Park	Support
Proportional Zoom	Support
PTZ Position Display	On / Off
System Integration	
Menu	Chinese/English
3D Positioning	Support
Preset Freezing	Support
Scheduled Task	Support
Alarm I/O	7 alarm inputs, 2 alarm outputs, alarm linkage
Alarm Action	Preset / Patrol / Pattern / SD card recording / Aux output / E-map on Client
Audio I/O	1/1
Ethernet	10Base-T / 100Base-TX, RJ45 connector
CVBS Output	1.0V[p-p] / 75Ω, NTSC (or PAL) composite, BNC
RS485	Half duplex, Pelco-P, Pelco-D, self-Adaptive
Onboard Storage	Built-in Micro SD/SDXC card slot, up to 32GB; edge recording
Number of Simultaneous Live View	Up to 10
User/Host Level	Up to 32 users, 3 Levels: Administrator, Operator and User
General	
Power	AC24V, Max. 90W
Working Temperature / Humidity	-40 -70 (-40 -158), 90% or less
Protection Level	IP66 standard TVS 6,000V lightning protection, surge protection and voltage transient protection
Dimensions (mm)	251 × 508 × 360
Weight (approx.)	15kg (33.07lb)