

# HDS-2AM1-5168/5164-A series

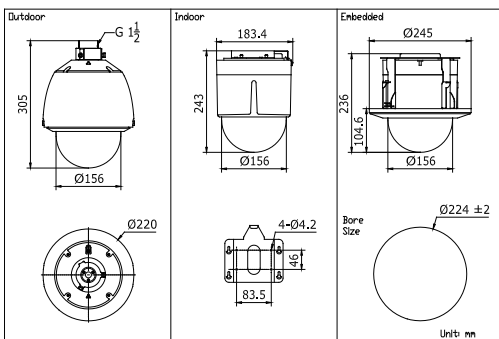
## 700TVL Analog PTZ Dome Camera



### Key features

- 1/4" Sony CCD / 1/3" Sony CCD
- 700TVL horizontal resolution
- 36X / 23X optical zoom, 16X digital zoom
- True Day/Night, Digital WDR
- 3D intelligent positioning

### Dimensions



### Accessories



	HDS-2AM1-5168-A	HDS-2AM1-5164-A
<b>Camera</b>		
Image Sensor	1/4" Sony CCD	1/3" Sony CCD
Effective Pixel	PAL: 976(H)×582(V), NTSC: 976(H)×494(V)	
Horizontal Resolution	Color: 700 TVL, B/W: 750 TVL	
Min.Illumination	Color: 0.02Lux/(F1.6, AGC ON), 0.0008Lux/(F1.6, AGC ON, sensitivity×256) B/W: 0.002Lux/(F1.6, AGC ON), 0.00008Lux/(F1.6, AGC ON, sensitivity×256)	
White Balance	Auto / Manual / ATW / Indoor / Outdoor	
AGC	Auto / Manual	
S / N Ratio	≥ 50dB	
Shutter Speed	PAL: 1 ~1/10,000s, NTSC: 1 ~1/10,000s	
Digital Noise Reduction	3D DNR	
Wide Dynamic Range	Digital WDR	
Day & Night	IR Cut Filter	
Digital Zoom	16X	
Privacy Masking	8 privacy masks programmable, optional multiple colors and mosaics	
Focus Model	Auto / Semiautomatic / Manual	
<b>Lens</b>		
Focal Length	3.3 ~119mm, 36X	4 ~ 92mm, 23X
Zoom Speed	Approx 6.0s(Optical Wide-Tele)	Approx 4.0s(Optical Wide-Tele)
Angle of View	57.1~1.7 degree(Wide-Tele)	57.58 ~3.12 degree(Wide-Tele)
Min. Working Distance	10 ~1000mm (Wide-Tele)	
Aperture	F1.4 ~ F3.7	F1.6 ~ F3.7
<b>Pan and Tilt</b>		
Pan and Tilt Range	Pan: 360° endless; Tilt: -5°~90° (Auto Flip)	
Pan and Tilt Speed	Pan Manual Speed: 0.1°~250°/s, Pan Preset Speed: 300°/s Tilt Manual Speed: 0.1° ~150°/s, Tilt Preset Speed: 200°/s	
Proportional Zoom	Rotation speed can be adjusted automatically according to zoom multiples	
Number of Preset	255	
Patrol	8 patrols, up to 32 presets per patrol	
Pattern	4 patterns, with the total recording time not less than 10 minutes	
Power-off Memory	Support	
Park Action	Preset / Patrol / Pattern / Pan scan / Tilt scan / Frame Scan / Random scan / Panorama scan	
PTZ Position Display	Support	
Compass	Support , the north can be set	
Scheduled Task	Preset / Patrol / Pattern / Pan scan / Tilt scan / Frame Scan / Random scan / Panorama scan / Day / Night	
<b>Input/ Output</b>		
Video Output	1.0 V[p-p] / 75Ω, PAL / NTSC composite, BNC	
<b>General</b>		
RS-485 Protocols	Pelco-P, Pelco-D, self-adaptive	
Power	-A: 24 VAC, max. 20W -A3: 24 VAC, max. 12W	
Working Temperature	-A: -30°C ~ 65°C(-22°F ~ 149°F) -A3: -10°C~50°C(14°F ~ 122°F)	
Humidity	90% or less	
Protection Level	IP66 (outdoor dome) TVS 4,000V lightning protection, surge protection and voltage transient protection IK10 (optional)	
Dimensions	Φ220 × 305mm (Φ8.66" × 12.00")(Outdoor) Φ183.4 × 243mm(Φ7.22" × 9.56") (Ceiling) Φ245 × 236mm(Φ9.65" × 9.29") (In-ceiling)	
Weight	Approx. 5Kg (11.02lbs)	
Mount Option(for outdoor models)	Long-arm wall mount: DS-1601ZJ; Pole Mount: DS-1601ZJ-pole;	Corner mount: DS-1601ZJ-corner; Power box mount:DS-1634ZJ

NOTE: Indoor models support ceiling and in-ceiling mount.